

SAMPLE SPECIFICATIONS

4" through 24" Push-On Joint Ductile Iron Fittings shall be produced in accordance with all applicable terms and provisions of ANSI/AWWA C153/A21.53. Fittings are cement-lined and seal-coated in accordance with ANSI/AWWA C104/A21.4. Joints shall be in accordance with ANSI/AWWA C111/A21.11 with bell sockets designed to receive pressure pipe O.D.'s as specified in ANSI/AWWA C151/A21.51 and AWWA C900 TABLE 2. The working pressure rating shall be 350 PSI, except for wyes and flanged-branch fittings. NOTE: Fittings are CEMENT-LINED and seal coated in accordance with ANSI/AWWA C104/A21.4, also available bare or epoxy coated. Double cement lined available in non-domestic only. All coated fittings meet requirements of NSF-61.

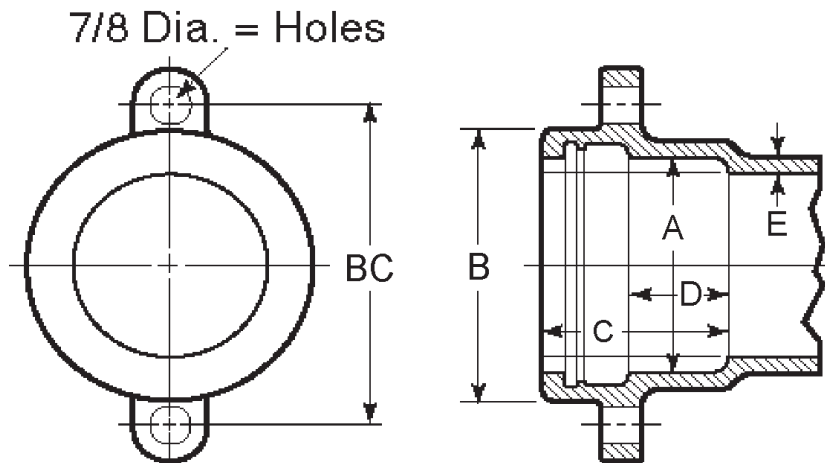
Thicknesses and dimensions of bell sockets and gaskets shall be in accordance with the manufacturer's design. Rubber rings shall be furnished by the manufacturer. Working pressures apply to fittings only and do not apply to restraining lugs or external restraining devices.

NOTE: Restraining lugs are provided on sizes 4" through 12" ONLY.

NOTE - EXCEPTIONS: Union-Tite Fittings with flanged branches are rated for water pressure of 250 PSI.

ADVANTAGES AND FEATURES

- Push-on gasket joint uses TYTON® or SURE 350® STOP gaskets
- For use with Ductile Iron pipe, C-900 plastic pipe, and 4-12" pressure rated IPS diameter plastic pipe using transition gaskets
- Deep stab joint design accommodates taper on plastic pipes
- Slip joint installation eliminates T-bolts and nuts: MJ glands not needed



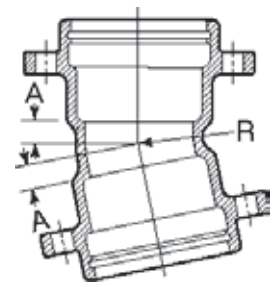
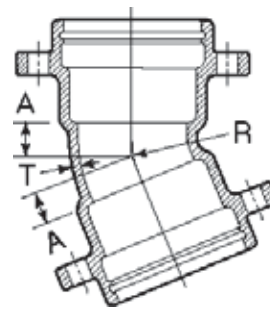
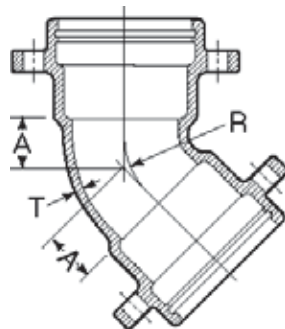
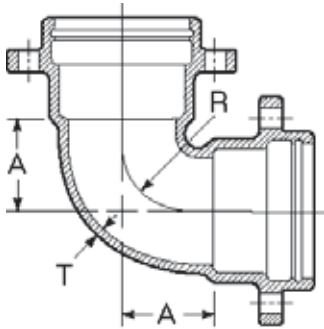
BELL DIMENSIONS IN INCHES FOR UNION-TITE FITTINGS

| Pipe Size | A | B | B.C. | C | D | E |
|-----------|-------|-------|-------|------|------|-----|
| 4 | 5.04 | 6.38 | 7.88 | 4.16 | 2.25 | .35 |
| 6 | 7.14 | 8.52 | 10.50 | 4.29 | 2.25 | .37 |
| 8 | 9.32 | 10.90 | 12.88 | 4.78 | 2.25 | .39 |
| 10 | 11.37 | 12.91 | 14.69 | 4.98 | 2.25 | .41 |
| 12 | 13.47 | 15.12 | 17.19 | 4.98 | 2.25 | .43 |
| 14 | 15.64 | 18.12 | ... | 5.40 | 2.25 | .51 |
| 16 | 17.74 | 20.32 | ... | 5.40 | 2.25 | .52 |
| 18 | 19.83 | 22.52 | ... | 5.40 | 2.25 | .59 |
| 20 | 21.94 | 24.29 | ... | 5.40 | 2.25 | .60 |
| 24 | 26.14 | 29.14 | ... | 5.65 | 2.50 | .62 |

TYTON® and FIELD-LOK® are registered trademarks of U.S. Pipe and Foundry Company.

Maximum deflection is 5°.

BENDS



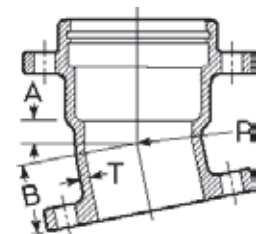
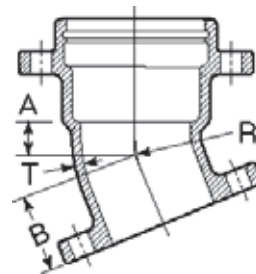
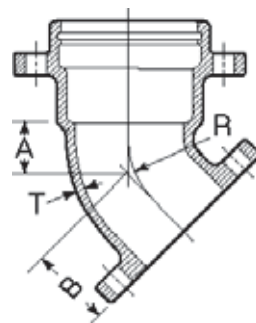
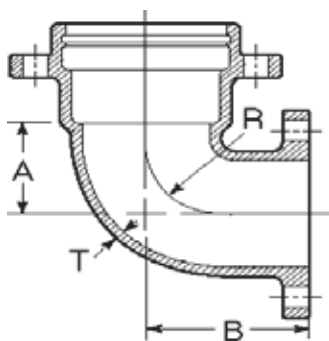
90° (1/4) UT Bends

45° (1/8) UT Bends

22½° (1/16) UT Bends

11¼° (1/32) UT Bends

| Size | Dimensions | | | | Dimensions | | | Dimensions | | | Dimensions | | |
|------|------------|------|-------|--------|------------|-------|--------|------------|-------|--------|------------|-------|--------|
| | T | A | R | Weight | A | R | Weight | A | R | Weight | A | R | Weight |
| 4 | .35 | 4.5 | 3.87 | 24 | 2.0 | 3.31 | 26 | 1.50 | 4.38 | 18 | 1.25 | 6.77 | 18 |
| 6 | .37 | 6.0 | 5.37 | 51 | 3.0 | 5.72 | 42 | 2.25 | 8.16 | 39 | 1.50 | 9.38 | 40 |
| 8 | .39 | 7.0 | 6.37 | 80 | 3.5 | 6.93 | 66 | 2.50 | 9.40 | 64 | 1.75 | 11.48 | 60 |
| 10 | .41 | 9.0 | 8.36 | 121 | 4.5 | 9.34 | 101 | 3.00 | 13.17 | 67 | 2.00 | 13.95 | 77 |
| 12 | .43 | 10.0 | 9.36 | 151 | 5.5 | 11.75 | 128 | 3.50 | 14.42 | 111 | 2.25 | 16.50 | 94 |
| 14 | .51 | 12.0 | 10.98 | 254 | 5.5 | 10.85 | 143 | 3.75 | 13.82 | 162 | 2.60 | 14.26 | 113 |
| 16 | .52 | 13.0 | 12.00 | 328 | 6.0 | 12.02 | 225 | 4.00 | 14.97 | 195 | 2.60 | 15.23 | 172 |
| 18 | .59 | 15.5 | 14.00 | 482 | 6.5 | 12.36 | 209 | 7.50 | 30.19 | 209 | 3.00 | 60.94 | 209 |
| 20 | .60 | 17.0 | 15.50 | 340 | 7.0 | 13.59 | 397 | 8.50 | 35.19 | 414 | 3.50 | 71.07 | 265 |
| 24 | .62 | 17.0 | 15.59 | 674 | 7.5 | 14.69 | 492 | 9.00 | 37.69 | 596 | ... | ... | ... |



**90° (1/4)
UT x Flange Bends**

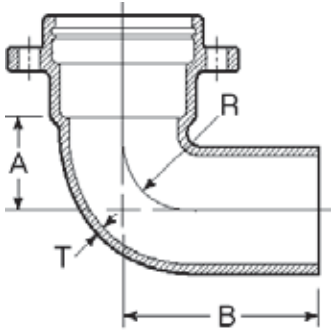
**45° (1/8)
UT x Flange Bends**

**22½° (1/16)
UT x Flange Bends**

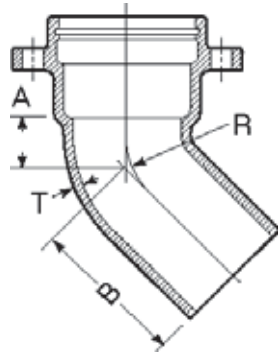
**11¼° (1/32)
UT x Flange Bends**

| Size | T | Dimensions | | | | Dimensions | | | | Dimensions | | | | Dimensions | | | |
|------|-----|------------|------|-------|--------|------------|-----|-------|--------|------------|-----|-------|--------|------------|------|-------|--------|
| | | A | B | R | Weight | A | B | R | Weight | A | B | R | Weight | A | B | R | Weight |
| 4 | .35 | 4.5 | 6.5 | 3.87 | 31 | 2.0 | 4.0 | 3.31 | 21 | 1.50 | 3.5 | 4.38 | 25 | 1.25 | 3.30 | 6.77 | 24 |
| 6 | .37 | 6.0 | 7.0 | 5.37 | 49 | 3.0 | 5.0 | 5.72 | 42 | 2.25 | 4.3 | 8.16 | 44 | 1.50 | 3.50 | 9.38 | 30 |
| 8 | .39 | 7.0 | 9.0 | 6.37 | 74 | 3.5 | 5.5 | 6.93 | 60 | 2.50 | 4.5 | 9.40 | 64 | 1.75 | 3.75 | 11.48 | 61 |
| 10 | .41 | 9.0 | 10.0 | 8.36 | 130 | 4.5 | 6.5 | 9.34 | 93 | 3.00 | 5.3 | 13.17 | 90 | 2.00 | 4.00 | 13.95 | 80 |
| 12 | .43 | 10.0 | 12.0 | 9.36 | 158 | 5.5 | 7.5 | 11.75 | 122 | 3.50 | 5.5 | 14.42 | 112 | 2.25 | 4.30 | 16.50 | 94 |
| 14 | .51 | 12.0 | 15.5 | 10.98 | 231 | 5.5 | 8.5 | 10.85 | 162 | 3.75 | 6.8 | 13.82 | 174 | 2.60 | 5.75 | 14.26 | 170 |
| 16 | .52 | 13.0 | 16.5 | 12.00 | 233 | 6.0 | 9.5 | 12.02 | 275 | 4.00 | 7.5 | 14.97 | 228 | 2.60 | 6.10 | 15.23 | 228 |

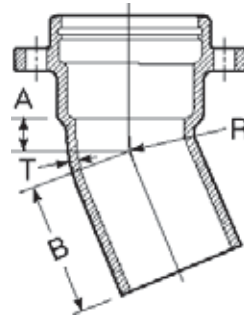
BENDS



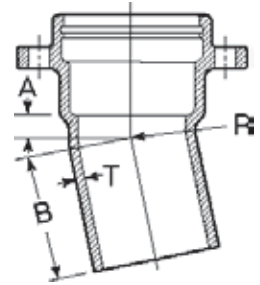
**90° (1/4)
UT x PE Bends**



**45° (1/8)
UT x PE Bends**



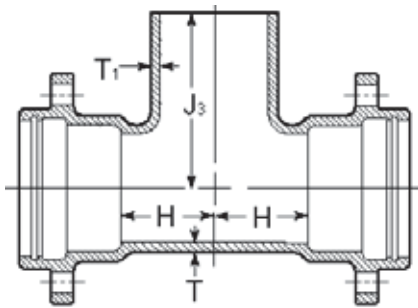
**22½° (1/16)
UT x PE Bends**



**11¼° (1/32)
UT x PE Bends**

| Size | T | Dimensions | | | Weight | Dimensions | | | Weight | Dimensions | | | Weight | Dimensions | | | Weight |
|------|-----|------------|------|------|--------|------------|-----|------|--------|------------|------|------|--------|------------|------|-------|--------|
| | | A | B | R | | A | B | R | | A | B | R | | A | B | R | |
| 4 | .35 | 4.5 | 10.5 | 3.87 | 35 | 2.0 | 8.0 | 3.31 | 21 | ... | ... | ... | .. | ... | ... | ... | .. |
| 6 | .37 | 6.0 | 12.0 | 5.37 | 70 | 3.0 | 9.0 | 5.72 | 38 | 2.25 | 8.08 | 8.16 | 35 | 1.50 | 7.30 | 9.38 | 36 |
| 8 | .39 | ... | ... | ... | .. | 3.5 | 9.5 | 6.93 | 60 | 2.50 | 8.34 | 9.40 | 57 | 1.75 | 7.55 | 11.48 | 55 |

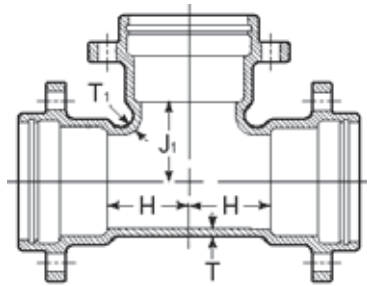
TEES



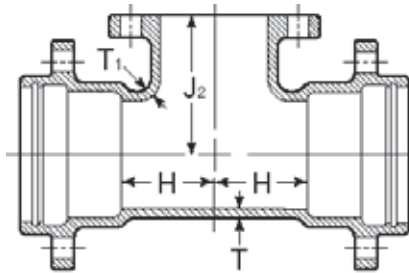
UT x UT x PE Tees

| Size | Run | Branch | T | Dimensions | | | Weight |
|------|-----|--------|-----|------------|-----|------|--------|
| | | | | T1 | H | J3 | |
| 6 | 6 | 6 | .37 | .37 | 6.0 | 11.5 | 60 |
| 8 | 6 | 6 | .39 | .37 | 6.0 | 12.5 | 80 |
| 12 | 6 | 6 | .43 | .37 | 7.0 | 15.5 | 140 |

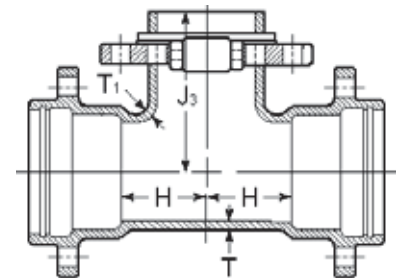
TEES



UT x UT Tees



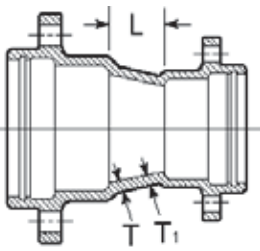
UT x Flange Tees



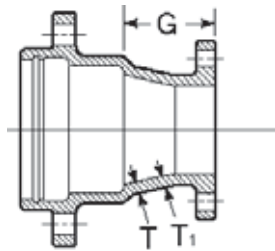
UT x Swivel Tees

| Size | T | T1 | Dimensions | | | | UT x UT | Weights | |
|-------|-----|-----|------------|------|------|-------|---------|-------------|-------------|
| | | | H | J1 | J2 | J3 | | UT x Flange | UT x Swivel |
| 4 | .35 | .35 | 4.5 | 4.5 | 6.5 | ... | 44 | 45 | ... |
| 6x4 | .37 | .35 | 5.0 | 6.0 | 8.0 | ... | 68 | 56 | ... |
| 6 | .37 | .37 | 6.0 | 6.0 | 8.0 | 9.5 | 69 | 71 | 65 |
| 8x4 | .39 | .35 | 5.0 | 7.0 | 9.0 | ... | 73 | 89 | ... |
| 8x6 | .39 | .37 | 6.0 | 7.0 | 9.0 | 10.5 | 96 | 101 | 100 |
| 8 | .39 | .39 | 7.0 | 7.0 | 9.0 | 10.5 | 116 | 117 | 110 |
| 10x4 | .41 | .35 | 6.0 | 9.0 | 11.0 | ... | 102 | 115 | ... |
| 10x6 | .41 | .37 | 7.0 | 9.0 | 11.0 | 12.5 | 113 | 128 | 130 |
| 10x8 | .41 | .39 | 8.0 | 9.0 | 11.0 | 12.5 | 145 | 145 | 156 |
| 10 | .41 | .41 | 9.0 | 9.0 | 11.0 | ... | 155 | 158 | ... |
| 12x4 | .43 | .35 | 6.0 | 10.0 | 12.0 | ... | 119 | 138 | ... |
| 12x6 | .43 | .37 | 7.0 | 10.0 | 12.0 | 13.5 | 141 | 148 | 162 |
| 12x8 | .43 | .39 | 8.0 | 10.0 | 12.0 | 13.5 | 177 | 170 | 158 |
| 12x10 | .43 | .41 | 9.0 | 10.0 | 12.0 | ... | 160 | 162 | ... |
| 12 | .43 | .43 | 10.0 | 10.0 | 12.0 | ... | 217 | 183 | ... |
| 14x6 | .51 | .44 | 6.5 | 10.5 | 12.5 | 14.0 | 176 | 212 | 202 |
| 14x10 | .51 | .46 | 8.5 | 10.5 | 12.5 | ... | 195 | 246 | ... |
| 14x12 | .51 | .47 | 9.5 | 10.5 | 12.5 | ... | 196 | 296 | ... |
| 14 | .51 | .51 | 10.5 | 10.5 | 14.0 | ... | 209 | 321 | ... |
| 16x6 | .52 | .45 | 6.5 | 11.5 | 13.5 | 15.0 | 266 | 160 | 229 |
| 16x8 | .52 | .46 | 7.5 | 11.5 | 13.5 | 15.0 | 292 | 270 | 292 |
| 16x10 | .52 | .47 | 8.5 | 11.5 | 13.5 | ... | 232 | 330 | ... |
| 16x12 | .52 | .48 | 9.5 | 11.5 | 13.5 | ... | 239 | 321 | ... |
| 16x14 | .52 | .51 | 10.5 | 11.5 | 15.0 | ... | 349 | 342 | ... |
| 16 | .52 | .52 | 11.5 | 11.5 | 15.0 | ... | 261 | 355 | ... |
| 18x6 | .59 | .44 | 6.5 | 12.5 | 14.5 | 16.13 | 348 | 301 | 348 |
| 18x8 | .59 | .45 | 7.5 | 12.5 | 14.5 | 16.13 | 325 | 319 | 324 |
| 18x10 | .59 | .47 | 8.5 | 12.5 | 14.5 | ... | 344 | 337 | ... |
| 18x14 | .59 | .56 | 10.5 | 12.5 | 16.0 | ... | 342 | 393 | ... |
| 18x16 | .59 | .57 | 11.5 | 12.5 | 16.0 | ... | 362 | 420 | ... |
| 20x6 | .60 | .44 | 7.0 | 14.0 | 16.0 | 17.5 | 355 | 341 | 400 |
| 20x10 | .60 | .47 | 9.0 | 14.0 | 16.0 | ... | 369 | 420 | ... |
| 20x14 | .60 | .56 | 11.0 | 14.0 | 17.5 | ... | 484 | 474 | ... |
| 20x16 | .60 | .57 | 12.0 | 14.0 | 17.5 | ... | 610 | 498 | ... |
| 20x18 | .60 | .59 | 13.0 | 14.0 | 17.5 | ... | 539 | ... | ... |
| 24x6 | .62 | .44 | 7.0 | 16.0 | 18.0 | 19.5 | 385 | 512 | 525 |
| 24x10 | .62 | .47 | 9.0 | 16.0 | 18.0 | ... | 478 | 468 | ... |
| 24x12 | .62 | .49 | 10.0 | 16.0 | 18.0 | ... | 663 | 503 | ... |
| 24x14 | .62 | .56 | 11.0 | 16.0 | 19.5 | ... | 542 | 531 | ... |
| 24x16 | .62 | .57 | 12.0 | 16.0 | 19.5 | ... | 566 | 555 | ... |
| 24x18 | .62 | .59 | 13.0 | 16.0 | ... | ... | 593 | ... | ... |
| 24x20 | .62 | .60 | 15.0 | 17.0 | ... | ... | 628 | ... | ... |
| 24 | .62 | .62 | 17.0 | 17.0 | ... | ... | 884 | ... | ... |

REDUCERS



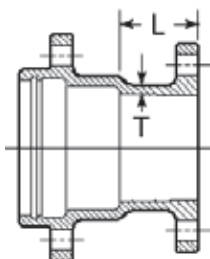
UT x UT Reducers



UT x Flange Reducers

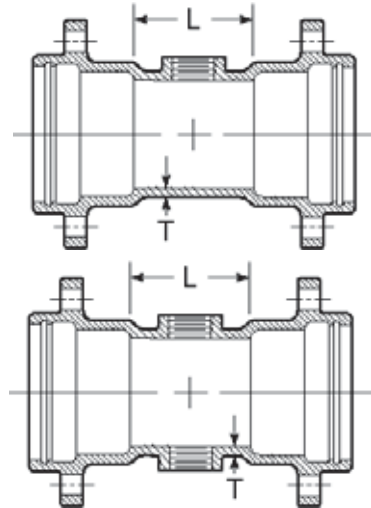
| Size | T | Dimensions | | | Weights | |
|-------|-----|------------|------|------|---------|------------|
| | | T1 | L | G | UT x UT | UT xFlange |
| 6x4 | .37 | .35 | 4.0 | 6.0 | 32 | 32 |
| 8x4 | .39 | .35 | 5.0 | 7.0 | 46 | 46 |
| 8x6 | .39 | .37 | 4.0 | 6.0 | 49 | 47 |
| 10x4 | .41 | .35 | 7.0 | 9.0 | 47 | 55 |
| 10x6 | .41 | .37 | 5.0 | 7.0 | 47 | 59 |
| 10x8 | .41 | .39 | 4.0 | 6.0 | 53 | 61 |
| 12x4 | .43 | .35 | 9.0 | 11.0 | 74 | 78 |
| 12x6 | .43 | .37 | 7.0 | 9.0 | 58 | 75 |
| 12x8 | .43 | .39 | 5.0 | 7.0 | 74 | 74 |
| 12x10 | .43 | .41 | 4.0 | 6.0 | 82 | 95 |
| 14x6 | .51 | .44 | 9.0 | 11.0 | 84 | 121 |
| 14x8 | .51 | .45 | 7.0 | 9.0 | 85 | 128 |
| 14x10 | .51 | .46 | 5.0 | 7.0 | 87 | 127 |
| 14x12 | .51 | .47 | 4.0 | 6.0 | 104 | 144 |
| 16x6 | .52 | .45 | 11.0 | 13.0 | 94 | 133 |
| 16x8 | .52 | .46 | 9.0 | 11.0 | 104 | 141 |
| 16x10 | .52 | .47 | 7.0 | 9.0 | 130 | 158 |
| 16x12 | .52 | .48 | 5.0 | 7.0 | 152 | 172 |
| 16x14 | .52 | .51 | 4.0 | 6.0 | 139 | 196 |
| 18x8 | .59 | .45 | 14.0 | 16.0 | 142 | 157 |
| 18x10 | .59 | .47 | 12.0 | 14.0 | 151 | 175 |
| 18x12 | .59 | .49 | 10.0 | 12.0 | 167 | 215 |
| 18x14 | .59 | .56 | 8.0 | 11.5 | 217 | 234 |
| 18x16 | .59 | .57 | 7.0 | 10.5 | 202 | 246 |
| 20x10 | .60 | .47 | 14.0 | 16.0 | 180 | 234 |
| 20x12 | .60 | .49 | 12.0 | ... | 205 | ... |
| 20x14 | .60 | .56 | 10.0 | 13.5 | 233 | 249 |
| 20x16 | .60 | .57 | 8.0 | 11.5 | 250 | 272 |
| 20x18 | .60 | .59 | 7.0 | ... | 248 | ... |
| 24x12 | .62 | .49 | 16.0 | 18.0 | 246 | 262 |
| 24x14 | .62 | .56 | 14.0 | 17.5 | 281 | 315 |
| 24x16 | .62 | .57 | 12.0 | 15.5 | 380 | 328 |
| 24x18 | .62 | .59 | 10.0 | ... | 390 | ... |
| 24x20 | .62 | .60 | 8.0 | ... | 421 | ... |

UT x Flange Adaptor



| Size | Dimensions | | Weight |
|------|------------|-----|--------|
| | T | L | |
| 4 | .35 | 6.0 | 28 |
| 6 | .37 | 6.0 | 36 |
| 8 | .39 | 6.0 | 54 |
| 10 | .41 | 6.0 | 71 |
| 12 | .43 | 6.0 | 102 |
| 14 | .51 | 7.0 | 113 |
| 16 | .52 | 7.0 | 115 |
| 20 | .60 | 6.0 | 295 |

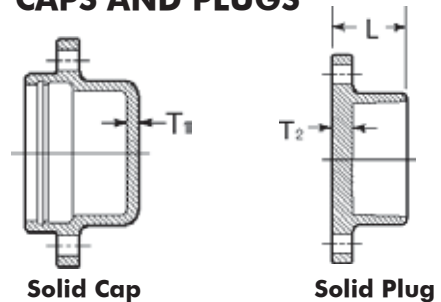
TAPPED TEE/CROSS



UT x Tapped Tee/Crosses

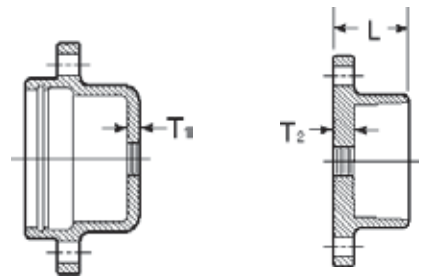
| Size | T | Dimensions | | Weight |
|------|-----|------------|-----|--------|
| | | Max Tap | L | |
| 4 | .35 | 3.0 | 6.0 | 27 |
| 6 | .37 | 3.5 | 6.0 | 38 |
| 8 | .39 | 3.5 | 6.0 | 59 |
| 10 | .41 | 3.5 | 6.0 | 72 |
| 12 | .43 | 3.5 | 6.0 | 92 |

CAPS AND PLUGS



Solid Cap

Solid Plug



2" Tapt Cap

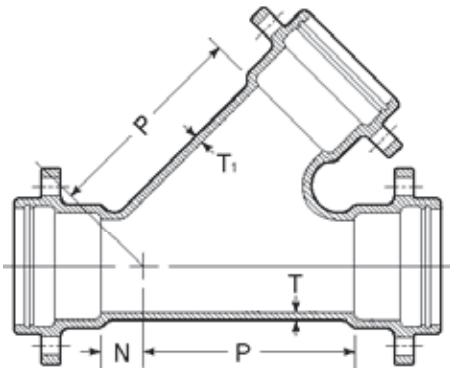
2" Tapt Plug

UT Caps and Plugs*

| Size | T1 | T2 | Dimensions | | Weights | |
|------|-----|-----|------------|-----|---------|--|
| | | | L | Cap | Plug | |
| 4 | .48 | .50 | 5.25 | 15 | 8 | |
| 6 | .48 | .50 | 5.25 | 20 | 23 | |
| 8 | .51 | .53 | 5.25 | 35 | 32 | |
| 10 | .53 | .56 | 5.25 | 50 | 38 | |
| 12 | .55 | .62 | 5.25 | 75 | 49 | |

*Restraining lugs (ears) available.

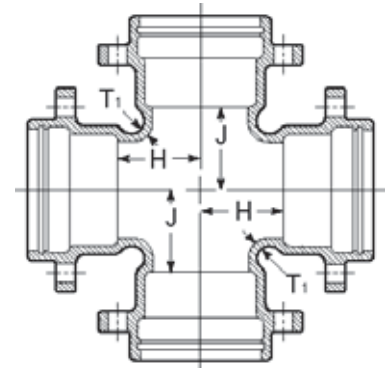
WYES



UT Wyes

| Size | T | Dimensions | | | Weights |
|-------|-----|------------|------|-----|---------|
| | | T1 | P | N | |
| 8x4 | .39 | .35 | 13.5 | .0 | 89 |
| 10x4 | .41 | .35 | 15.0 | .0 | 141 |
| 10x6 | .41 | .37 | 16.0 | 1.0 | 151 |
| 10x8 | .41 | .39 | 17.0 | 2.5 | 175 |
| 10 | .41 | .41 | 18.0 | 4.0 | 200 |
| 12x4 | .43 | .35 | 16.5 | .0 | 178 |
| 12x6 | .43 | .37 | 18.5 | 1.5 | 201 |
| 12x8 | .43 | .39 | 18.5 | 1.5 | 224 |
| 12x10 | .43 | .41 | 20.0 | 3.0 | 240 |
| 12 | .43 | .43 | 20.0 | 5.0 | 289 |
| 14x6 | .51 | .44 | 19.5 | .0 | 236 |
| 14x8 | .51 | .45 | 21.0 | 1.5 | 255 |
| 14x10 | .51 | .46 | 22.5 | 3.0 | 325 |
| 14 | .51 | .51 | 25.0 | 6.0 | 475 |
| 16x6 | .52 | .45 | 21.0 | .0 | 281 |
| 16x8 | .52 | .46 | 22.5 | 0.5 | 304 |
| 16x12 | .52 | .48 | 25.0 | 3.5 | 346 |
| 16 | .52 | .52 | 28.0 | 6.5 | 380 |

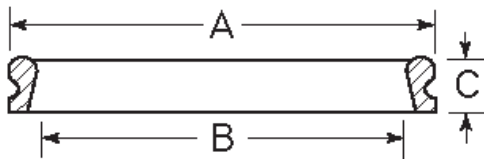
CROSSES



UT Crosses

| Size | T1 | Dimensions | | Weights |
|-------|-----|------------|------|---------|
| | | H | J | |
| 6 | .37 | 6.0 | 6.0 | 88 |
| 8x6 | .37 | 6.0 | 7.0 | 117 |
| 8 | .39 | 7.0 | 7.0 | 156 |
| 10x4 | .35 | 6.0 | 9.0 | 116 |
| 12x8 | .39 | 8.0 | 10.0 | 240 |
| 12 | .43 | 10.0 | 10.0 | 241 |
| 14x6 | .44 | 6.5 | 10.5 | 189 |
| 14x8 | .45 | 7.5 | 10.5 | 204 |
| 14x10 | .46 | 8.5 | 10.5 | 222 |
| 14x12 | .47 | 9.5 | 10.5 | 239 |
| 14 | .51 | 10.5 | 10.5 | 270 |
| 16x6 | .45 | 6.5 | 11.5 | 234 |
| 16x8 | .46 | 7.5 | 11.5 | 323 |
| 16x10 | .47 | 8.5 | 11.5 | 268 |
| 16x12 | .48 | 9.5 | 11.5 | 274 |
| 16x14 | .51 | 10.5 | 11.5 | 322 |
| 16 | .52 | 11.5 | 11.5 | 317 |

TYTON® GASKETS



TYTON® JOINT IPS Transition and Regular Gasket

| Size | A | Dimensions | | C |
|------|-------|----------------------------|-------------------------|------|
| | | Transition (IPS) B(±1%) | Regular (Ductile) B* | |
| 4 | 5.74 | 4.18 | 4.68 | 1.00 |
| 6 | 7.86 | 6.31 | 6.73 | 1.10 |
| 8 | 10.15 | 8.32 | 8.85 | 1.29 |
| 10 | 12.10 | 10.30 | 10.87 | 1.36 |
| 12 | 14.31 | 12.70 | 12.95 | 1.45 |

TYTON® is a registered trademark of
U.S. Pipe and Foundry Company.

NOTICE: Weights published in this catalog are for shipping purposes only. Actual weights may vary because some fittings are produced in both foundries. All fittings are made in the USA and meet the AWWA standards to which they are designed.
For weights of specific fittings, please contact Tyler Pipe or Union Foundry Company.